

## RBN090DB Universal Dashbar - Fitting Instructions

Firstly, please check the contents of your kit against the table below. Should you be missing any parts, please contact the stockist in the first instance who will then get in touch with Safety Devices.

In the assembly M8 bolts are used; the torque setting for this size is listed below:

M8 – 25.5Nm

Part Number	Description	Quantity in a kit
CDS-38-16T-1200	Length of tube 1200mm	1
20-1500-009	Dash Bar Clamp	2
M8H55ZP	M8 x 55mm Hex Bolt Zinc	6
M8NNZP	M8 Nyloc Nut Zinc Passivated	6
M8FWZP	M8 Flat Washer Zinc Plated	6

### Fitting Instruction Steps:-

1. Decide upon what position you wish to mount the dash bar on your cage. Measure required length (L) between the two front leg **inside edges** as shown in Fig 1.
2. Trim the long bar to this length.
3. Offer up the dash bar clamps to the cage and insert the cut to length tube.
4. Mark the positions of the hole centres from the dash bar clamps onto the cut to length tube.
5. Remove the cut to length tube and drill the holes (x6) to 8.5mm diameter.
6. Deburr the sharp edges.
7. Refit the tube to the cage and place a bolt, washer and nut through each hole. Fasten to finger tight and check fit.
8. If fit is satisfactory, all nuts and bolts on the assembly can now be tightened.

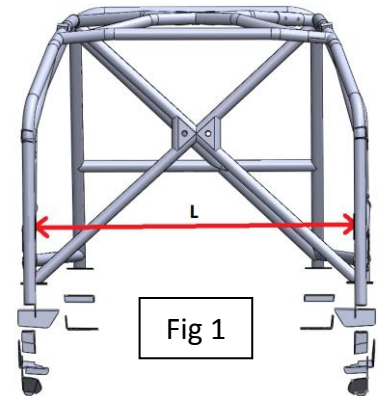


Fig 1

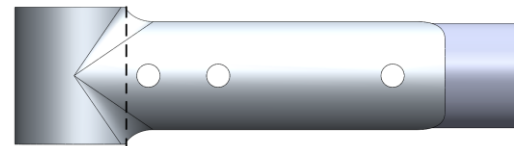


Fig 2

